

Base Plate for Single-Hole Kitchen Faucets, 10"
 Surface: **polished nickel** Part no. : **14019831**



Description

Features

- For concealing basin holes

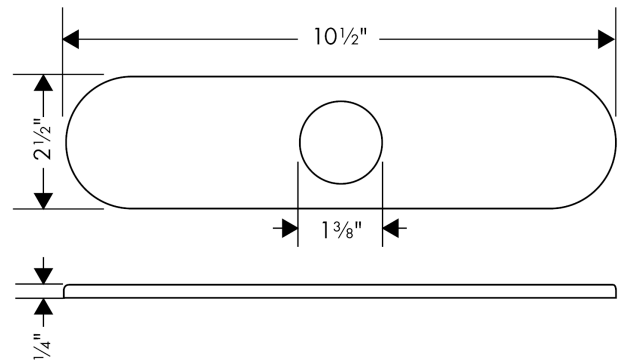
Item details

List Price \$ 127.00

Product image



Scale drawing



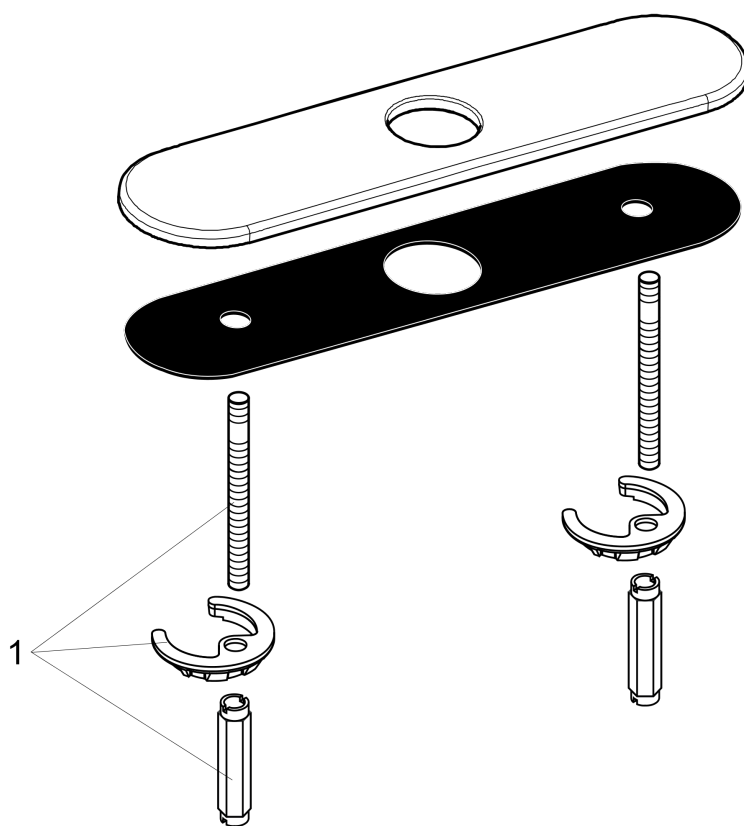
Base Plate for Single-Hole Kitchen Faucets, 10"

Surface: **polished nickel** Part no. : **14019831**



Exploded drawing

Year of production: >**03/10**



Base Plate for Single-Hole Kitchen Faucets, 10"
 Surface: **polished nickel** Part no. : **14019831**



Spare parts list

Year of production: >**03/10**

Pos.	Description	Part no.	Price	PU
1	fixing set	88508000	-	1